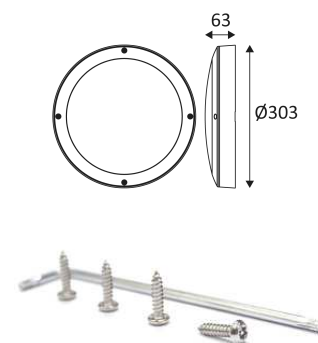


LIDY

- Wall or ceiling lamp for indoor and outdoor lighting.
- 3000K or 4000K as desired via a switch in the luminaire.
- With anti-vandal spanner and screw.
- Non-dimmable converter built in the device.

This product contains 1 light source(s) of energy efficiency E.



CODE	COLOR	MATERIAL	AC	LED	T° (K)	LED Lumen	System Lumen
BU10105	BLACK	POLYCARBONATE	AC 230V	24W	3000-4000K	4010 Lm (4000K)	2655 Lm (4000K)
BU10130	WHITE	POLYCARBONATE	AC 230V	24W	3000-4000K	4010 Lm (4000K)	2655 Lm (4000K)



BLACK



WHITE



Wall and ceiling mounting only.



Indoor and outdoor use.



Protected against penetration of dust
Protected against water jets.



Protection against an impact energy of 20 Joules.



Live parts are equipped with additional isolation protection, such as reinforced or double insulation.



Beam 110°.



Product in conformity CE.



CRI>80



2 CCT.



LED specifications.



Photobiological risk RG1



Test on 850°.



Vandal-resistant.



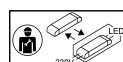
Power supply included.



3 years warranty.



Photometric data available on our website: www.indigo-lighting.com



Replaceable control gear by an electrician.



Non-replaceable light source.